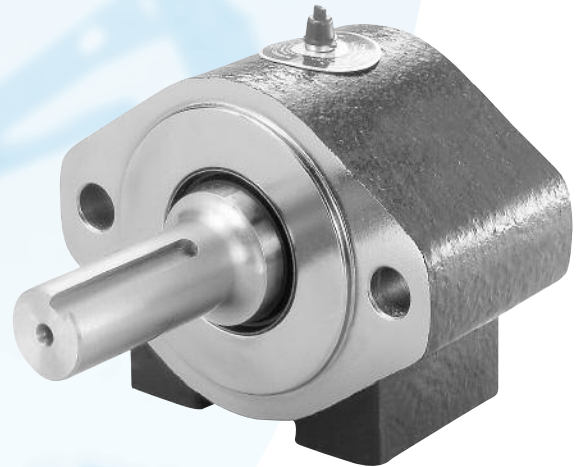


OHLA[®] 200

OVERHUNG LOAD ADAPTORS

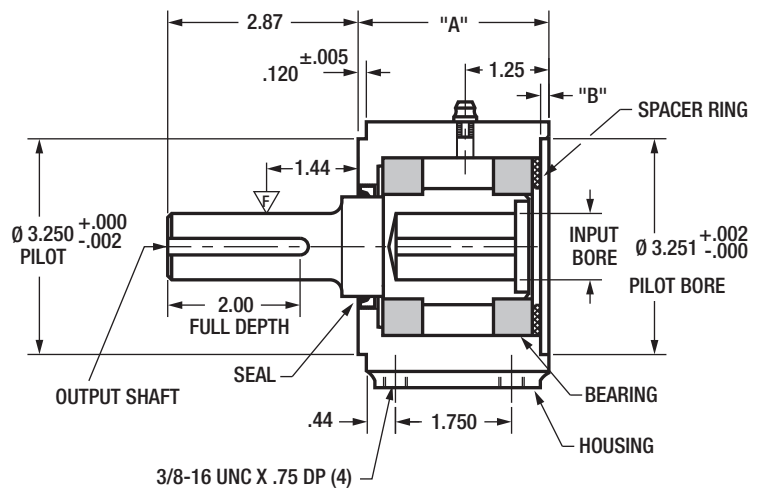
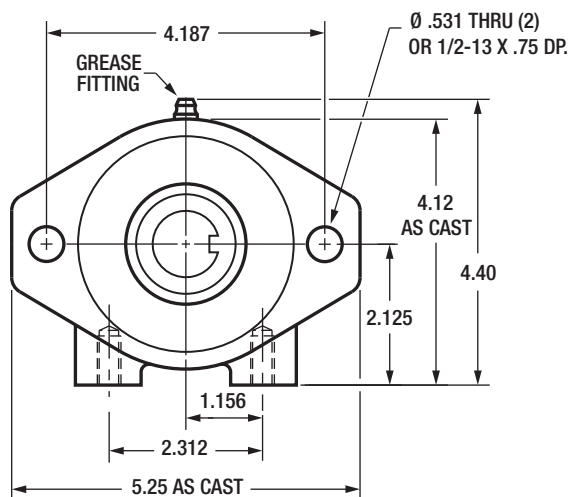
- For SAE "A" 2-bolt mount applications with motor or pump shafts up to 1" diameter.
- Features deep-grooved ball bearings.
- Accepts speeds up to 4400 RPM with proper lubrication. See Page 15.



STANDARD MODELS

| Model* | Output Shaft - Keyway | Input Bore - Keyway |
|--------|-----------------------|---------------------|
| 210 | 1.00 - 1/4 x 1/8 | 1.00 - 1/4 x 1/8 |
| 210F | 1.00 Bore - 1/4 x 1/8 | 1.00 - 1/4 x 1/8 |
| 215 | 1.50 - 3/8 x 3/16 | 1.00 - 1/4 x 1/8 |
| 210-10 | 1.00 - 1/4 x 1/8 | .625 - 5/32 x 5/64 |
| 210-12 | 1.00 - 1/4 x 1/8 | .750 - 3/16 x 3/32 |
| 215-12 | 1.50 - 3/8 x 3/16 | .750 - 3/16 x 3/32 |

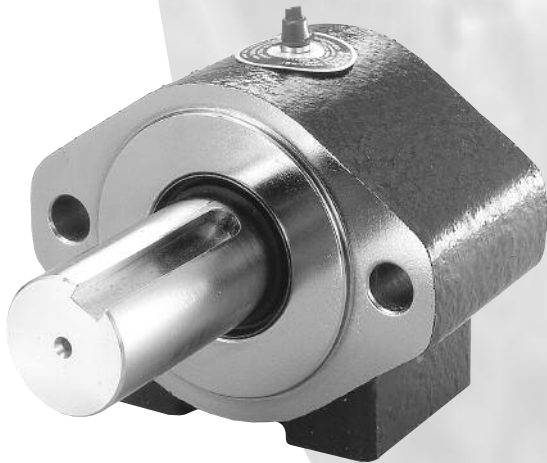
*0.125 Pilot depth is Standard. Add "DP" to Model Number for a Deep Pilot. (0.25) Example: 210-DP



| | "A" | "B" |
|--------------------|-------|---------------------|
| STANDARD HOUSING | 2.875 | .125 ±.005 -.000 |
| DEEP PILOT HOUSING | 3.000 | .250 ±.005 -.000 |

OHLA[®] 300

OVERHUNG LOAD ADAPTORS

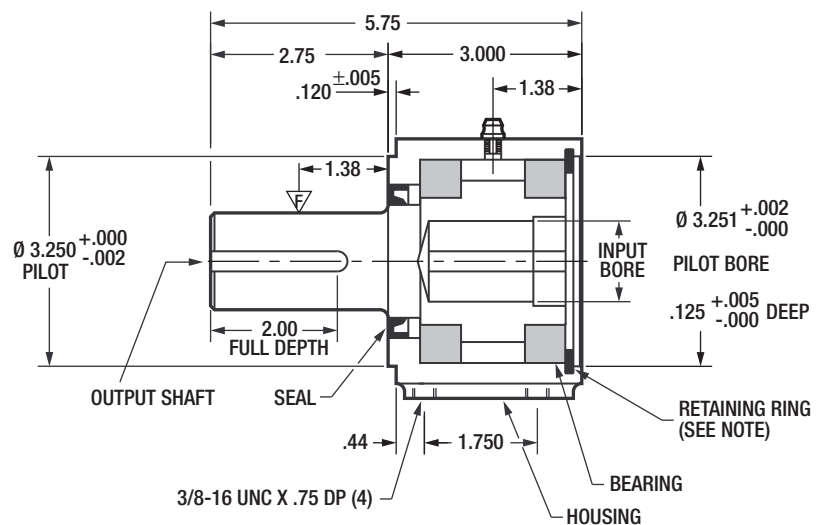
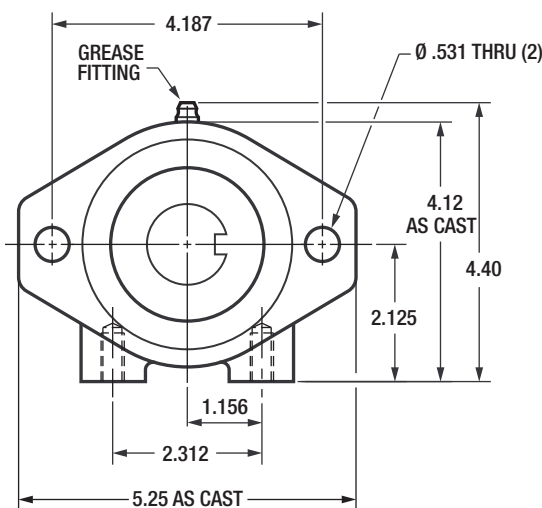


- For SAE "A" 2-bolt mount for medium to heavy-duty applications.
- Features deep-grooved ball bearings.
- Featuring the same overall size as the Model 200, the Model 300 has larger bearings for heavy-duty applications.
- Accepts speeds up to 3550 RPM with proper lubrication. See Page 15.

STANDARD MODELS

| Model* | Output Shaft - Keyway | Input Bore - Keyway |
|--------|-------------------------|---------------------|
| 312 | 1.25 - 5/16 x 5/32 | 1.25 - 5/16 x 5/32 |
| 315 | 1.50 - 3/8 x 3/16 | 1.25 - 5/16 x 5/32 |
| 300F | 1.25 Bore - 5/16 x 5/32 | 1.25 - 5/16 x 5/32 |

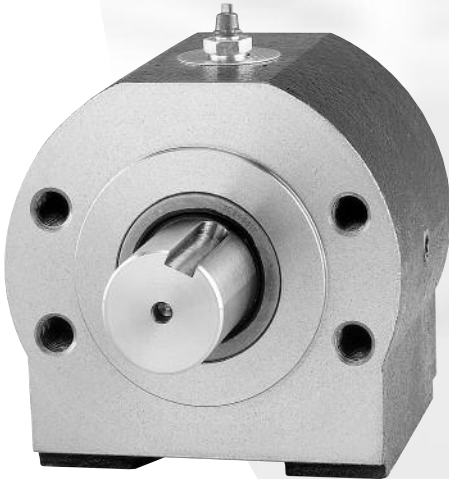
*0.125 Pilot depth is Standard. Add "DP" to Model Number for a Deep Pilot. (0.25) Example: 312-DP



NOTE: FOR .250 DEEP PILOT
RETAINING RING IS REMOVED

OHLA[®] 500

OVERHUNG LOAD ADAPTORS



- For SAE "A" heavy-duty bearing block applications with 4-bolt mounting.
- Features heavy-duty tapered roller bearings.
- May be used on 2-bolt mount by tilting 22-1/2°.
- Accepts speeds up to 3300 RPM with proper lubrication. See Page 15.

STANDARD MODELS

| Model | Output Shaft - Keyway | Input Bore - Keyway |
|---------|-----------------------|-----------------------|
| 512-20 | 1.250 - 5/16 x 5/32 | 1.250 - 5/16 x 5/32 |
| 512-6BS | 1.250 - 5/16 x 5/32 | 1.000 6B Spline |
| 512-14S | 1.250 - 5/16 x 5/32 | 14 Tooth 12/24 Spline |
| 515-20 | 1.500 - 3/8 x 3/16 | 1.250 - 5/16 x 5/32 |
| 515-6BS | 1.500 - 3/8 x 3/16 | 1.000 6B Spline |
| 515-14S | 1.500 - 3/8 x 3/16 | 14 Tooth 12/24 Spline |

